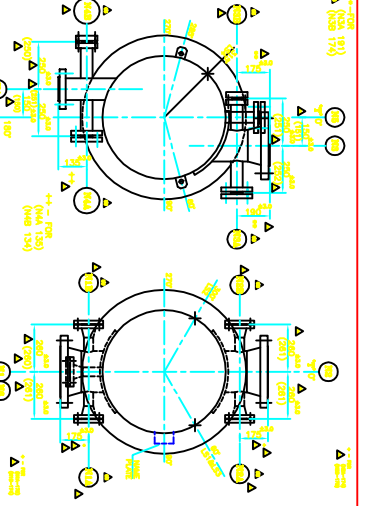
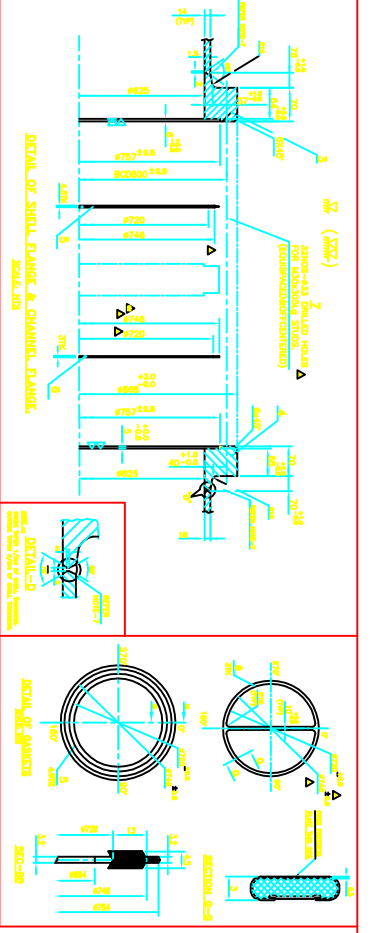


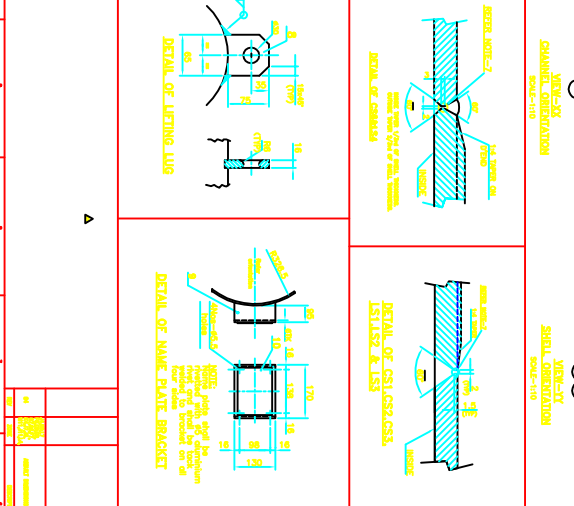
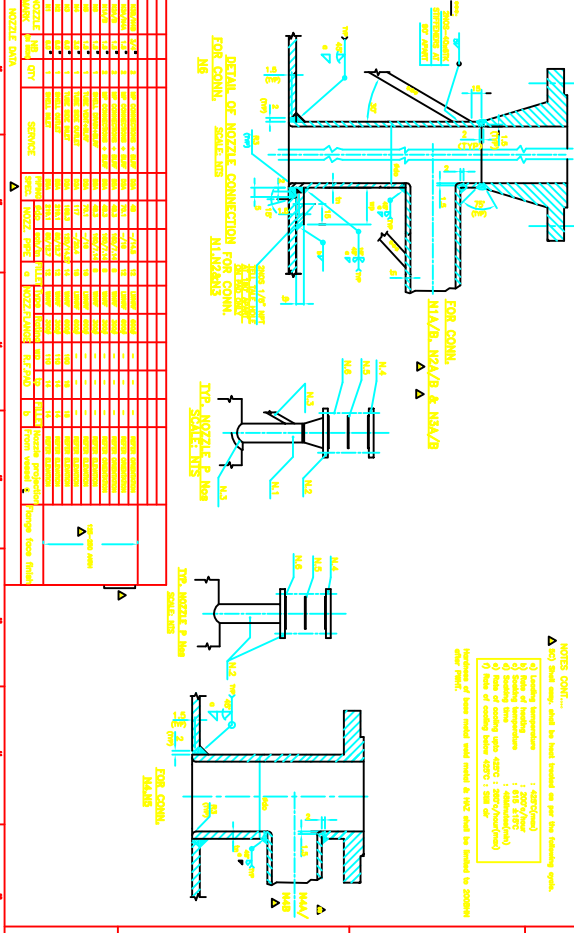
**PHYSICAL DATA**

DESIGN CODE	ASB-D-1	DATE	2023-10-27
DESIGNER	ASB-D-1	SCALE	1:1
REVISION			
NO. OF PAGES	1	NO. OF SHEETS	2
DESIGN PROJECT	ASB-D-1	DESIGN NO.	ASB-D-1
DESIGN REVISION	01	DESIGN DATE	2023-10-27
DESIGNER	ASB-D-1	DESIGNER SIGNATURE	
DESIGN TITLE	ASB-D-1	DESIGNER NO.	ASB-D-1
DESIGN NO.	ASB-D-1	DESIGN DATE	2023-10-27
DESIGN TITLE	ASB-D-1	DESIGNER SIGNATURE	
DESIGNER NO.	ASB-D-1	DESIGNER DATE	2023-10-27
DESIGN TITLE	ASB-D-1	DESIGNER SIGNATURE	
DESIGNER NO.	ASB-D-1	DESIGNER DATE	2023-10-27



**NOTES**

- 1) All dimensions are in millimeters unless otherwise specified.
- 2) Tolerances are as per IS 2025:2019.
- 3) Surface finish is as per IS 7061:2019.
- 4) Material is as per IS 2025:2019.
- 5) Heat treatment is as per IS 2025:2019.
- 6) Welding is as per IS 2025:2019.
- 7) Painting is as per IS 2025:2019.
- 8) All dimensions are to be maintained unless otherwise specified.
- 9) All dimensions are to be maintained unless otherwise specified.
- 10) All dimensions are to be maintained unless otherwise specified.
- 11) All dimensions are to be maintained unless otherwise specified.
- 12) All dimensions are to be maintained unless otherwise specified.
- 13) All dimensions are to be maintained unless otherwise specified.
- 14) All dimensions are to be maintained unless otherwise specified.
- 15) All dimensions are to be maintained unless otherwise specified.
- 16) All dimensions are to be maintained unless otherwise specified.
- 17) All dimensions are to be maintained unless otherwise specified.
- 18) All dimensions are to be maintained unless otherwise specified.
- 19) All dimensions are to be maintained unless otherwise specified.
- 20) All dimensions are to be maintained unless otherwise specified.



**NOTES**

- 1) All dimensions are in millimeters unless otherwise specified.
- 2) Tolerances are as per IS 2025:2019.
- 3) Surface finish is as per IS 7061:2019.
- 4) Material is as per IS 2025:2019.
- 5) Heat treatment is as per IS 2025:2019.
- 6) Welding is as per IS 2025:2019.
- 7) Painting is as per IS 2025:2019.
- 8) All dimensions are to be maintained unless otherwise specified.
- 9) All dimensions are to be maintained unless otherwise specified.
- 10) All dimensions are to be maintained unless otherwise specified.
- 11) All dimensions are to be maintained unless otherwise specified.
- 12) All dimensions are to be maintained unless otherwise specified.
- 13) All dimensions are to be maintained unless otherwise specified.
- 14) All dimensions are to be maintained unless otherwise specified.
- 15) All dimensions are to be maintained unless otherwise specified.
- 16) All dimensions are to be maintained unless otherwise specified.
- 17) All dimensions are to be maintained unless otherwise specified.
- 18) All dimensions are to be maintained unless otherwise specified.
- 19) All dimensions are to be maintained unless otherwise specified.
- 20) All dimensions are to be maintained unless otherwise specified.

**ASBUILT DRAWING**

**REVISION LIST**

NO.	DESCRIPTION	DATE	BY	CHKD.
1	ISSUED FOR CONSTRUCTION	2023-10-27	ASB-D-1	ASB-D-1
2	ISSUED FOR CONSTRUCTION	2023-10-27	ASB-D-1	ASB-D-1
3	ISSUED FOR CONSTRUCTION	2023-10-27	ASB-D-1	ASB-D-1
4	ISSUED FOR CONSTRUCTION	2023-10-27	ASB-D-1	ASB-D-1
5	ISSUED FOR CONSTRUCTION	2023-10-27	ASB-D-1	ASB-D-1

**UNIVERSAL TRAF ENGINEERS LTD.**  
**ENGINEERS IN CHARGE**  
**DESIGNER**  
**CHECKER**  
**APPROVER**